

Masts support

art. 07-599/A ZANCA RINGHIERA TIPO EMILIA per PALI 76/114 mm

Ideal for dishes fixing on masts.

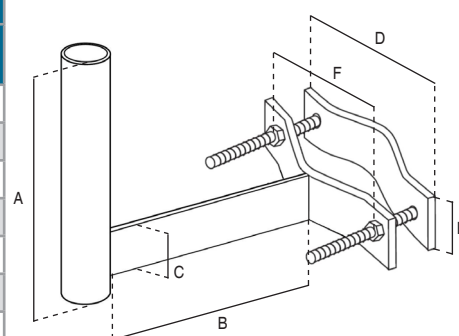
The tubes are made of steel, hot dip galvanized to ensure high quality and durability. The protection of the zinc cladding is of 50/85 microns thick.

The measures are in mm, unless otherwise specified.

Dimensional and thickness tolerances are allowed by the regulations that establish the quality of the raw materials used.



Code	07-599/A	
Item	ZANCA RINGHIERA TIPO EMILIA per PALI 76/114 mm	
MASTS		
Height	mm	180 (A)
Thickness	mm	1,5
Ø	mm	40
SUPPORT ROD		
Length	mm	180 (B)
Height	mm	40 (C)
Thickness	mm	8
U-BOLT		
Width	mm	170 (D)
Height	mm	40 (E)
Thickness	mm	8
Screws	TE 10x120 mm	
Distance between screws	mm	140 (F)
For masts Ø	mm	40 ÷ 90



Packaging

Packaging	Dimensions LxWxH (mm)	Weight (Kg)
Single-packaging	180x200x190	1,7
10 pieces packaging	210x320x420	18

