



Emilia Wall Brackets

super heavy

art. 07-622/A

**ZANCA REGOLABILE
RINFORZATA 75/140**

Ideal for fixing masts used in the antennas and dishes installation.

Equipped with welded plate on the base with four holes for wall mounting using anchor bolts or threaded rods.

The tubes are made of steel, hot dip galvanized to ensure high quality and durability. The protection of the zinc cladding is of 50/85 microns thick.

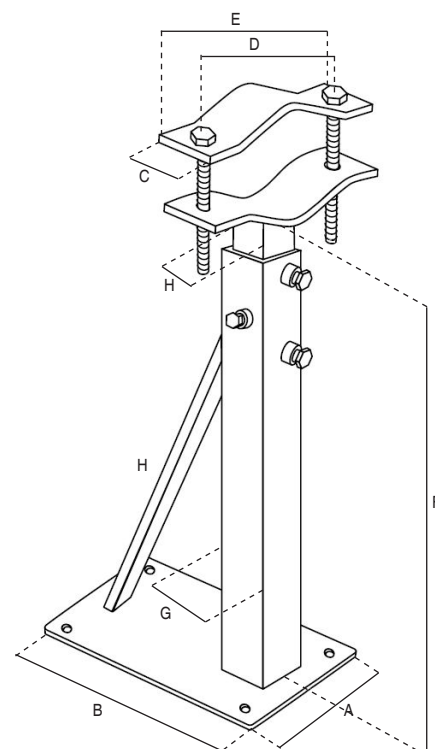
The measures are in mm, unless otherwise specified.

Dimensional and thickness tolerances are allowed by the regulations that establish the quality of the raw materials used.

Equipped with reinforcing steel support with "U" structure.



Code	07-622/A	
Item	ZANCA REGOLABILE RINFORZATA 75/140	
SQUARE POLE		
Height	cm	75 ÷ 140 (F)
Internal tube side	mm	50 (G)
Internal tube thickness	mm	3
External tube side	mm	40 (H)
External tube thickness	mm	3
REINFORCING SUPPORT		
Type of support	"U" structure	
Dimensions	mm	25x12 (H)
Thickness	mm	4
PLATE		
Thickness	mm	5
Lenght	mm	250 (A)
Width	mm	150 (B)
FIXING HOLES		
No.	4	
Ø	mm	14
U-BOLTS		
Lenght	mm	170 (E)
Width	mm	40 (C)
Thickness	mm	8
For masts Ø	mm	40 ÷ 90
Screws	M10x90 mm	
Distance between screws holes	mm	140 (D)



Single packaging

Packaging	Dimensions LxWxH (mm)	Weight (Kg)
Bracket	250x150x1160	12,0

