



## Bent masts

L 2 m

### art. 07-800/A PALO CURVO mt. 2 Ø 40 mm SP. 2 mm a 2 MURATURE

It is used for pass through roof installation and the cable passage.

The tubes are made of steel, hot dip galvanized to ensure high quality and durability. The protection of the zinc cladding is of 50/85 microns thick.

The measures are in mm, unless otherwise specified.

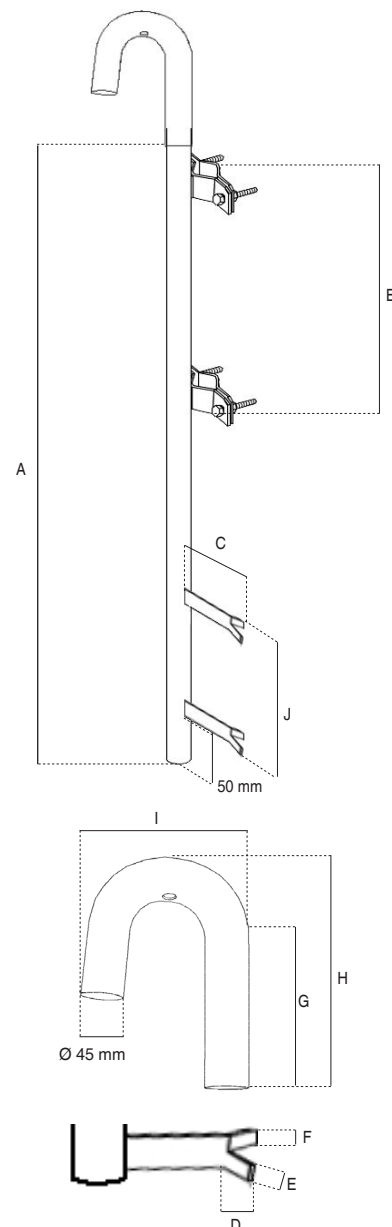
Dimensional and thickness tolerances are allowed by the regulations that establish the quality of the raw materials used.



Code	07-800/A	
Item	PALO CURVO mt. 2 Ø 40 mm SP. 2 mm a 2 MURATURE	
<b>POLE</b>		
Ø	mm	40
Thickness	mm	2
Lenght	m	2 (A)
<b>FIXING PLATES</b>		
Distances	mm	650 (B)
Dimensions	mm	35x6
Thickness	mm	3,5
For masts Ø	mm	30 ÷ 60
Screws	QST 10x60 mm	
<b>WALL MOUNT</b>		
Type	"L" support	
Lenght	mm	150 (C)
Other dimensions	mm	200 (J); 40 (D); 20 (E); 30 (F)
Thickness	mm	5
<b>BENT</b>		
Type of bent	removable	
Bending radius	180°	
Ø	mm	45
Thickness	mm	1,4
Dimensions	mm	140 (G); 230 (H); 170 (I)

#### Single packaging (mast and bent are packaged separately)

Packaging	Dimensions LxWxH (mm)	Weight (Kg)
Mast	80x80x2000	5,6
Bent	235x350x130	0,7



Rev. 0 02.2025

